

CREATIVE SOUND SOLUTIONS WR125S, WR125ST MIDWOOFER, FR125S FULL RANGE



The WR125S, WR125ST, and FR125S are Creative Sound Solutions 4.5" wide range/full range loudspeaker family. These shielded drivers feature a curvilinear paper cone, rubber surround, and copper phase plug. The motors are all based on the patent-pending XBL²™ motor topology under license from Adire Audio, Lynnwood Washington.

The flatter BL, lower distortion, low moving mass, and significant excursion provided by the XBL²™ motor, permit this speaker to perform very cleanly with a wide frequency response as well as almost unbelievable bass output.

For listeners that want to add a tweeter or super tweeter, the wide-range WR125S and WR125ST offer maximum bass output and an extended range that makes them very versatile with respect to crossover points -- extension at the top is such that some people use them without tweeters. The 16Ω ST version has a truncated front bezel to allow closer driver spacing in an MTM or line array.

The FR125S is the evolution of the WR125S driver and the world's first full range speaker using XBL²™ motor topology. This driver is for purists not satisfied that the WR125S needs a tweeter and the crossover that comes with it.

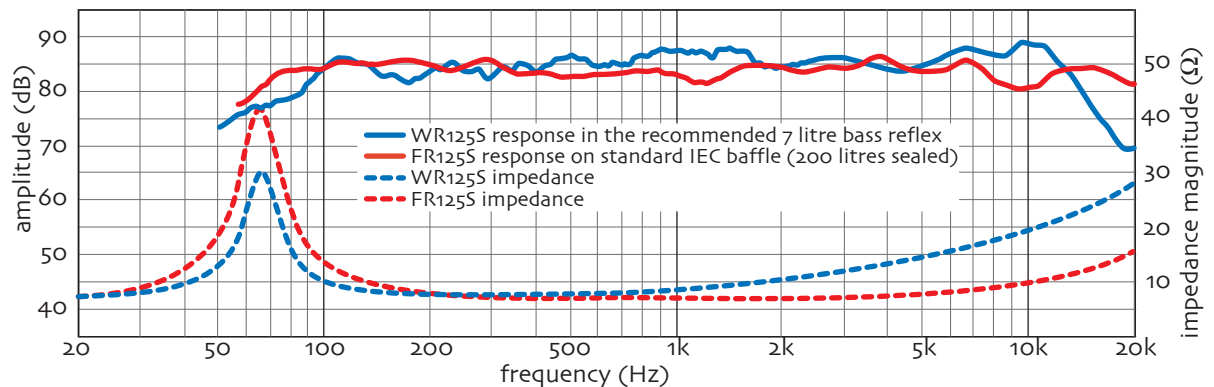
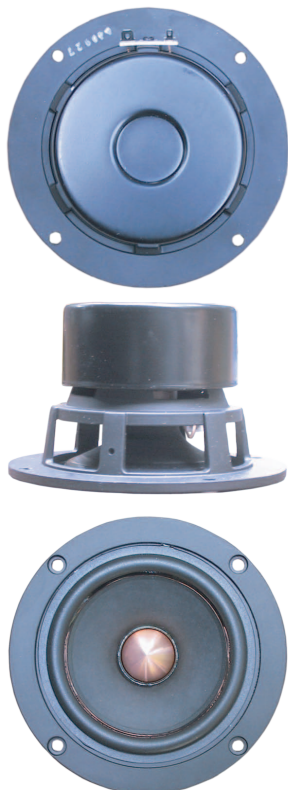
The FR125S retains the superb midrange clarity and extended, low distortion bass -- although it does not have quite the maximum low frequency output -- as the WR125 with close to an extra octave on the top. This was done by adjusting the internal copper content and "tweaking" the soft parts. Measured on a standard IEC baffle in a 200 litre enclosure the on-axis response is ± 3 dB from 65 Hz to 20 kHz. The FR125S is a superb full range driver priced to provide extraordinary value.

Shielded for use near CRT monitors, the WR/FR125S is suitable for Hi-Fi and Home Theatre. The WR125 is an exceptionally wide range midwoofer or midrange for 2 or 3-way systems and the FR125S gives the simplicity of using a single speaker without crossover costs or side-effects.

The DIY community has embraced these drivers and a growing number of enclosure designs have been published -- sealed, bass reflex, ML-TLs, ML-Voigts, and even horns. The large excursion also makes them suitable for open baffle use in small rooms or when augmented on the bottom. Visit www.creativesound.ca for links to these designs and a number of discussions on the real-world experiences of those that have already adopted these drivers.

A growing number of small OEM finished speaker suppliers have made this driver family the heart of their 1, 2, & 3-way speaker systems and an international distribution network is developing.

XBL²™ is a trademark of Adire Audio

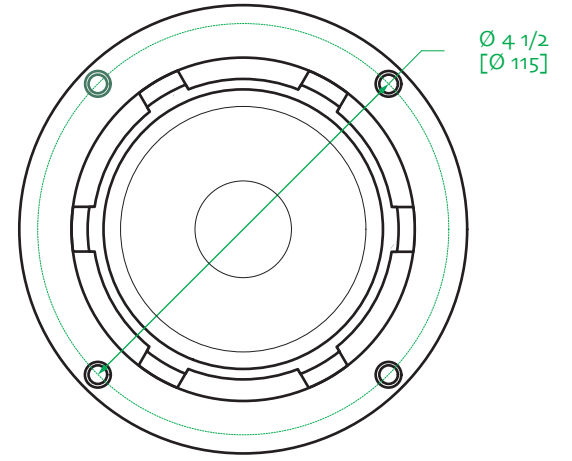
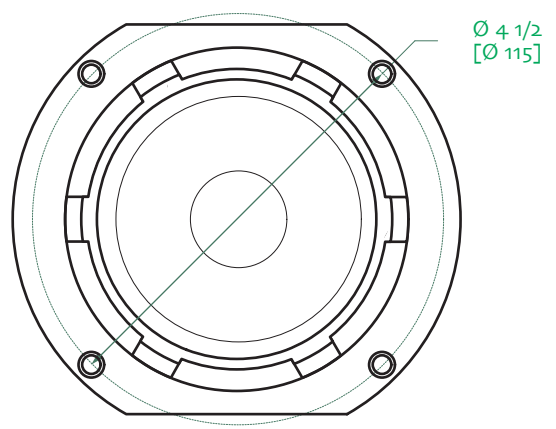
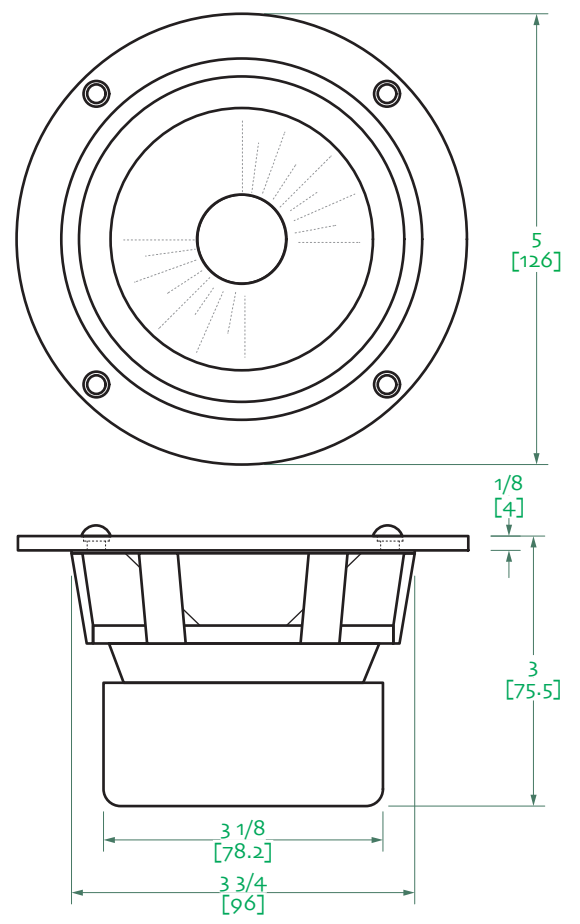
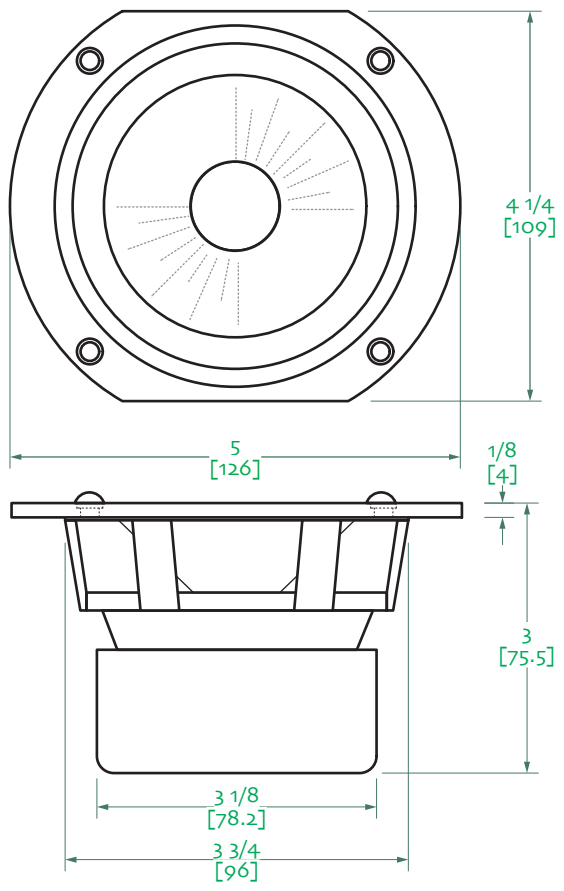
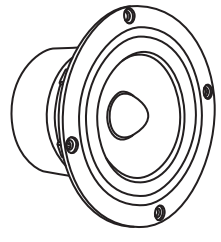


	WR125S	WR125ST	FR125S*		WR125S	WR125ST	FR125S*
F_s (Hz)	68	65	67.4	X_{max}	---	6mm one way	---
Q_{es}	0.77	0.77	0.68	S_d (cm ²)	57	57	57
Q_{ms}	3.85	3.85	3.10	L_e	0.32	0.64	0.39
Q_{ts}	0.64	0.64	0.56	BL NA	4.01	5.7	4.47
V_{as} (litres)	5.8	5.8	5.58	M_{ms} (g)	4.3	4.5	4.6
R_e (Ω)	7.0	14.0	7.0	SPL (dB@1W 1m)	85.6	85.6	85.9

* preliminary

WR125ST

WR125S/FR125S



creative sound solutions
44-31255 Upper Maclure Rd
Abbotsford, BC Canada V2T 5N4
☎ 604-504-3954
www.creativesound.ca