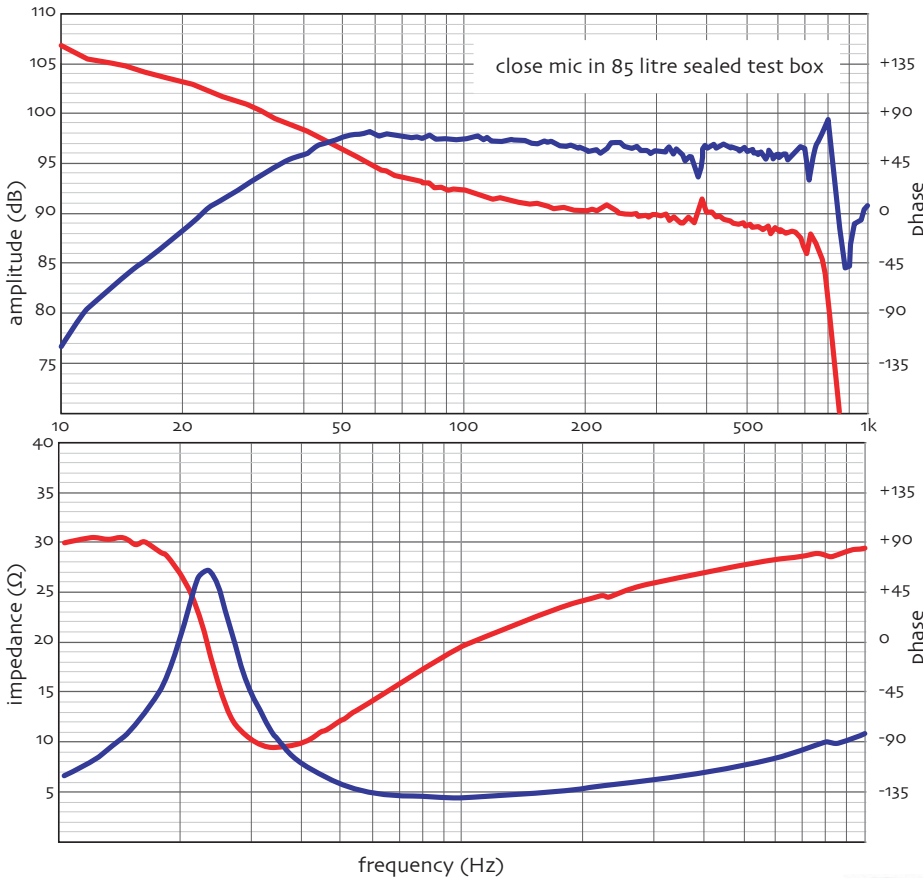
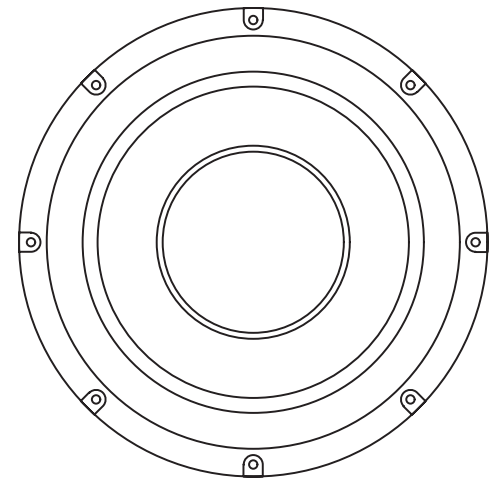
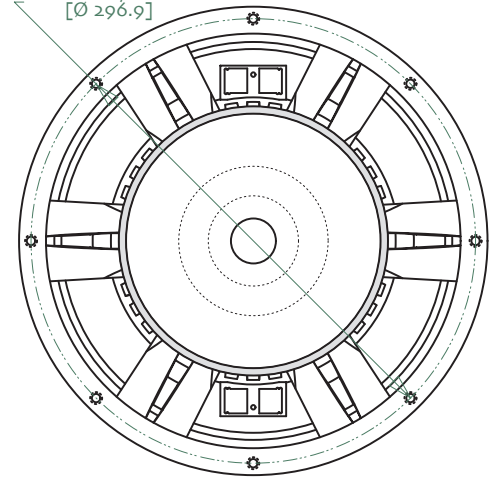
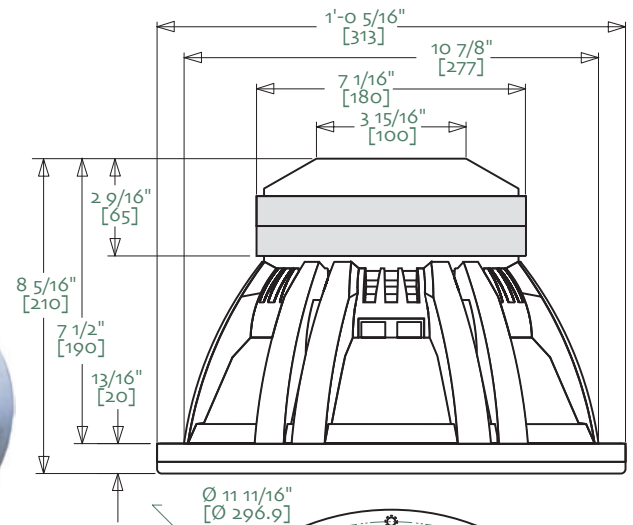


CREATIVE SOUND SOLUTIONS SD12 SUBDUCTION SUBWOOFER

Are you ready for SubDuction?

The SD12 subwoofer is ideal for both home theater & car audio environments and produces prodigious amounts of output with excellent sound quality. Designed to work great in sealed or vented/PR enclosures of reasonable box size, the SD12 is a price/performance leader among high performance subwoofers. See the application notes for recommended enclosure designs.

- fiberglass/nomex woven cone with NBR surround
- high power, low inductance design, 2 layer 3" (76mm) copper voice coil and large aluminium shorting ring inside the magnet
- forged and machined T-yoke and top plate with larger radiused pole vent for low aerodynamic noise
- high excursion spider with integrated lead wire
- attractive cast aluminum basket design with cast aluminum trim ring
- long X_{max} and a "bottomless" basket design



CSS SD12 SubDuction Thiele/Small Parameters			
F_s (Hz)	23.3	X_{max} (one way)	19.5mm
Q_{es}	0.45	S_d (cm ²)	490
Q_{ms}	2.87	L_e	1.45
Q_{ts}	0.39	BL NA	14.6
V_{as} (litres)	83.3	M_{ms} (g)	186
R_e (Ω)	3.6	SPL (dB@1W 1m)	85.6



creative sound solutions
 44-31255 Upper Maclure Rd
 Abbotsford, BC Canada V2T 5N4
 ☎ 604-504-3954

www.creativesound.ca