

Fostex®

LOW LEAKAGE FLUX TYPE FULL RANGE
SPEAKER UNIT

FE167E

Features

- 'ES cone' paper made of banana plant's fiber
- Ferrite magnet
- Repulsion type magnet shielded circuit
- Newly designed center cap

Specifications

&

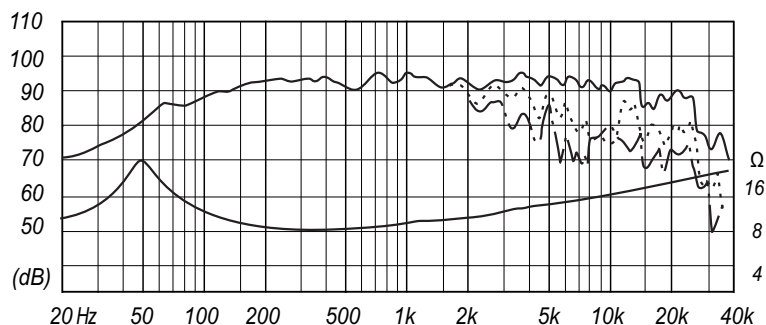
Thiele/Small Parameters

| | | |
|-------------------------------|---|--------------------|
| Size | : | 160 mm / 6 in |
| Voice Coil Diameter | : | 25 mm / 1 in |
| Cast / Stamped | : | Stamped |
| Impedance | : | 8 Ω |
| Min. Frequency Response | : | 50 Hz |
| Production Frequency Response | : | f0 - 22 kHz |
| Sound Pressure Level | : | 94 dB/W(m) |
| Rated Input | : | 22 W |
| Music Power | : | 65 W |
| Magnet Material | : | Ferrite |
| Magnet Weight | : | |
| (main) | : | 240.1 g / 0.529 lb |
| (cancel) | : | 121.8 g / 0.269 lb |
| Net Weight | : | 1,320 g / 2.910 lb |

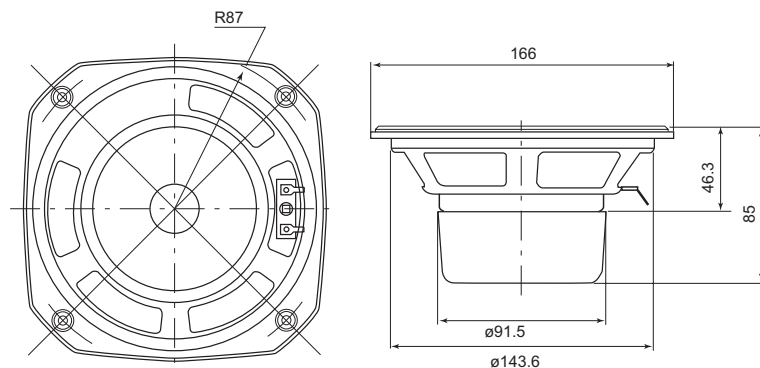
| | | |
|--------|---|------------------------|
| a | : | 65 mm |
| D | : | 130 mm |
| Sd | : | 0.01327 m ² |
| Zn | : | 8 Ω |
| Fs | : | 51.5 Hz |
| Re | : | 7.10 Ω |
| Le | : | n/amH |
| Qms | : | 4.63 |
| Qes | : | 0.33 |
| Qts | : | 0.31 |
| Mms | : | 6.68 g |
| BL | : | 6.82 Telsa/m |
| Vas | : | 35.94 L |
| Xmax | : | 0.6 mm |
| Eff/η0 | : | 1.44 W% |
| Cms | : | 0.0015 mm/N |



Frequency Response / Impedance



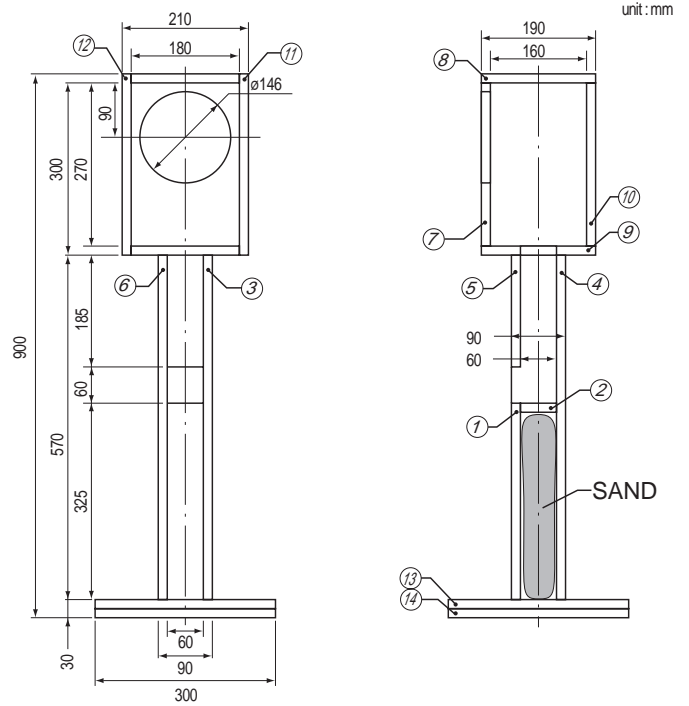
Dimensions & Mounting Information



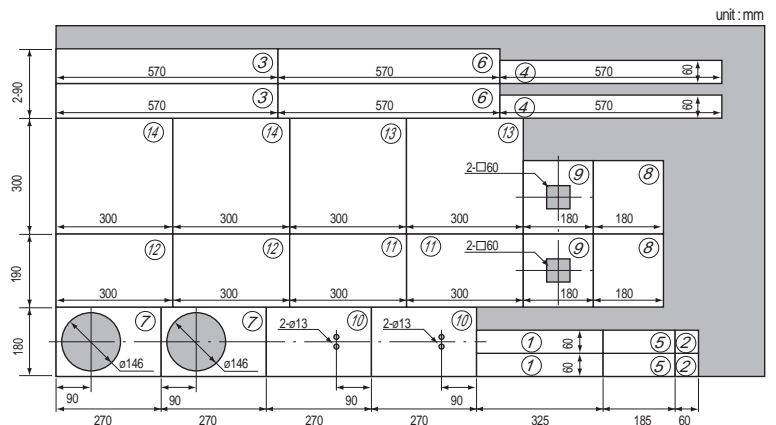
| | | |
|----------------------|---|--------------------|
| Overall Diameter | : | 166 mm / 7 in |
| Baffle Hole Diameter | : | 143.6 mm / 5.69 in |
| Depth | : | 85 mm / 3 in |

FE167E

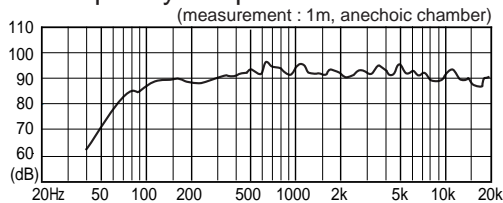
Recommended Bass Reflex Type Enclosure



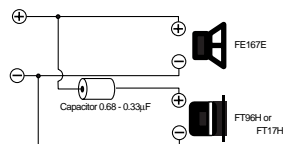
- Shown is an example of a FE167E bass reflex type enclosure.
- The stand serves as both speaker stand and bass reflex duct (port).
- Packing sand or other fill inside lower stand will improve stability and sound quality.
- This enclosure is designed to limit low frequency and realize flat frequency response at all bandwidths.



Frequency Response



- Two way system using super tweeter is also recommended.
- 15mm thick plywood was used for the tested enclosure.



Standard Recommended Bass Reflex Type Enclosure

Example of FE167E standard bass reflex type enclosure. This enclosure has 15 liter capacity. You may try various external dimensions so long as internal volume remains the same.

