

RS270S-8

10" Reference Shielded Woofer 8 Ohm

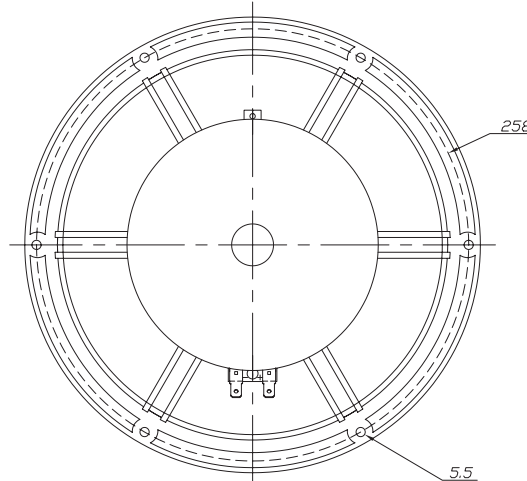
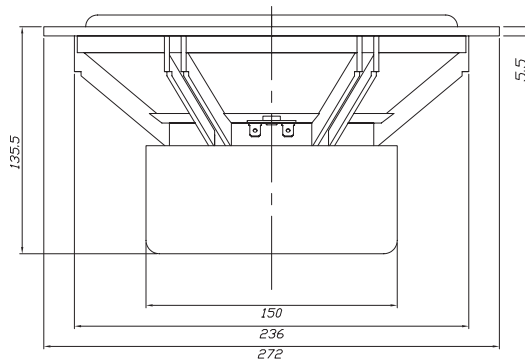


### Features

- Lightweight black anodized aluminum cone
- Fully shielded magnetic structure
- Attractive 6-hole cast frame
- Advanced low distortion motor design
- Solid aluminum phase plug
- Rubber surround

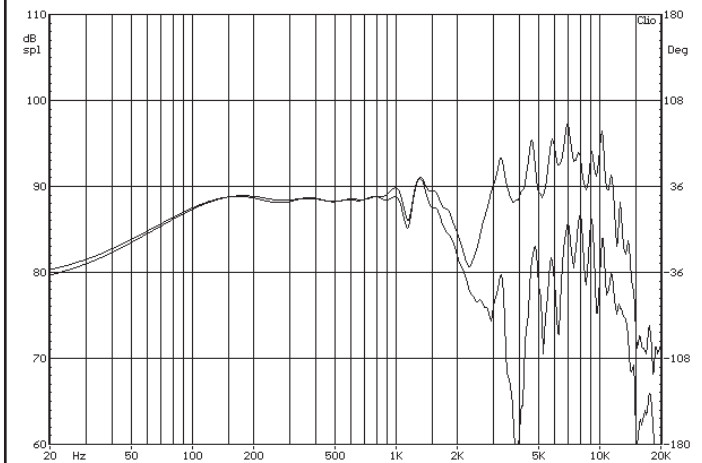
### Parameters

Impedance ( $\Omega$ )	8
Re ( $\Omega$ )	6.9
Le (mH) @ 1 kHz	1.23
Fs (Hz)	26.9
Qms	1.81
Qes	0.53
Qts	0.41
Mms (g)	40.03
Cms (mm/N)	0.87
Sd (cm <sup>2</sup> )	346.4
Vd (liters)	228.6
BL (Tm)	9.27
VAS (liters)	147.2
XMAX (mm)	6.6
VC Diameter (mm)	51
SPL (dB@1W/1m)	90.5
RMS Power Handling (w)	100
Usable Frequency Range (Hz)	25 - 1500



Note: All dimensions in mm.

### Frequency Response



Note: Due to testing limitations, response below 200 Hz is not an actual representation.

### Impedance/Phase

