



EM 1308

Elite Midrange,
 Ø 130mm, Ø 2.1" soft dome, 8Ω



SPECIFICATIONS

General Data

Overall Dimensions	DxH	130mm(5.11")x80mm(3.14")
Nominal Power Handling (DIN)	P	200W
Transient Power 10ms		1000W
Sensitivity 2.83V/1M		88 dB SPL
Frequency Response		See graph
Dome Material		Acuflex™ hand coated soft dome
Net Weight	Kg	0.518

Electrical Data

Nominal Impedance	Z	8Ω
DC Resistance	Re	6.2Ω
Voice Coil Inductance @ 1KHz	LBM	0.20mH

Voice Coil and Magnet Parameters

Voice Coil Diameter	DIA	54mm
Voice Coil Height		6mm
HE Magnetic Gap Height	HE	4mm
Max. Linear Excursion	X	±1mm
Voice Coil Former		Aluminum
Voice Coil Wire		Hexatech™ Aluminum
Number Of Layers		2
Magnet System Type		Neodymium Vented
B Flux Density	B	0.90 T
BL Product	BXL	5.2 N.A

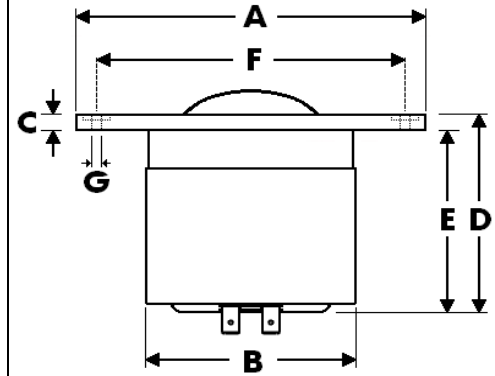
T-S Parameters

Suspension Compliance	Cms	
Mechanical Q Factor	Qms	0.9
Electrical Q Factor	Qes	1.01
Total Q Factor	Qts	0.47
Mechanical Resistance	Rms	
Moving Mass	Mms	3 g
Eq. Cas Air Load (liters)	VAS	
Resonant Frequency	Fs	320 Hz
Effective Piston Area	SD	28 cm ²

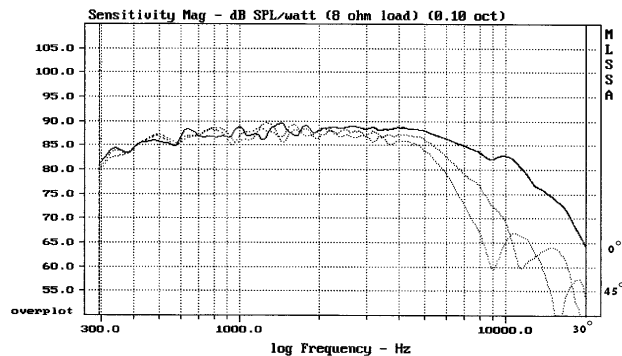
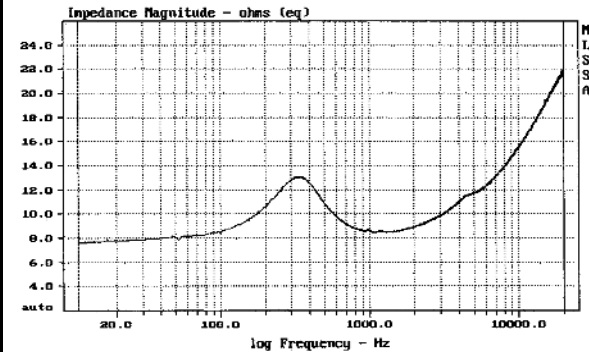
FEATURES

- * 130mm IDR™ Improved Dispersion Recess Aluminum face plate
- * 2.1" Acuflex™ hand coated soft dome
- * 2.1" Large Hexatech™ Aluminum voice coil
- * Internally damped, Aluminum rear chamber
- * Wide range linear performance
- * Low resonance point * High power handling

Unit Dimensions



- A** - Overall diameter 130mm
- B** - Cut out diameter 76mm
- C** - Flange thickness 5mm
- D** - Overall height 80mm
- E** - Magnet/Chamber depth 75mm
- F** - Mounting holes location diameter 118mm
- G** - 6 Mounting holes, at 60° interval, inner hole diameter Ø 3.7mm, pocket h 1.5mm, Ø 8mm



Measured on IEC baffle using Bruel & Kjaer 3144 model microphone.

Morel operate policy of continuous product design improvement, consequently specifications are subject to alteration without prior notice.