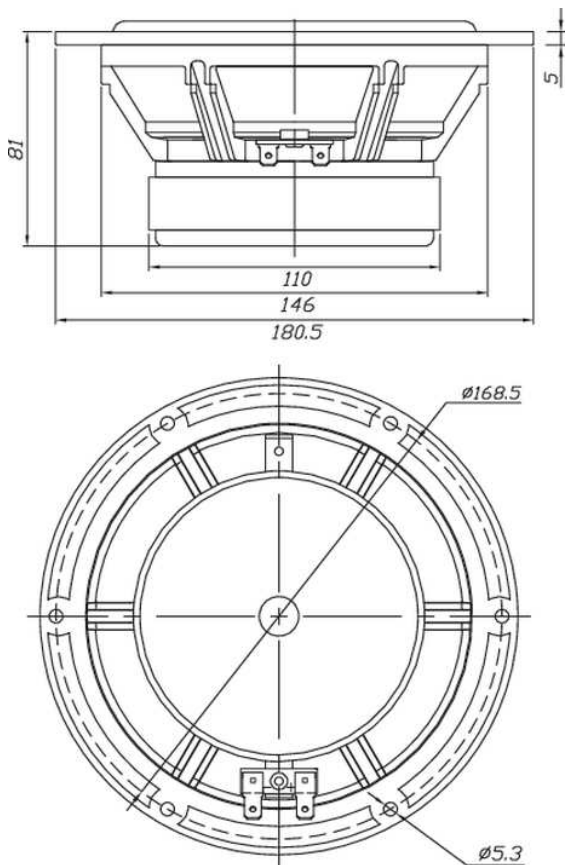




RS180-8 7" Reference Woofer 8 Ohm

RS180-8



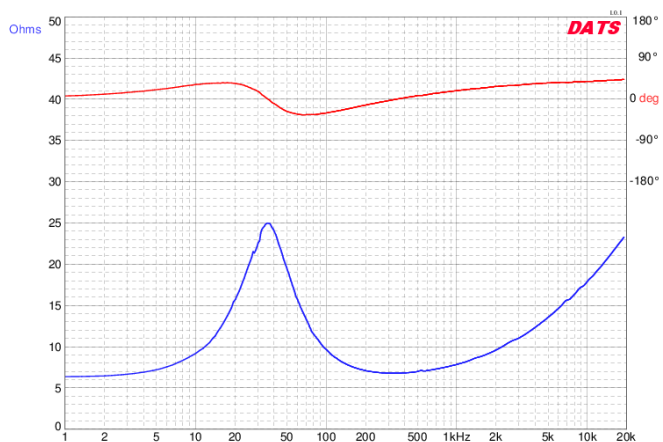
PARAMETERS

Impedance	8 ohms
Re	6.4 ohms
Le	0.73 mH @ 1 kHz
Fs	35.7 Hz
Qms	1.22
Qes	0.42
Qts	0.31
Mms	17.9g
Cms	1.12 mm/N
Sd	124.7 cm ²
Vd	74.8 cm ³
BL	7.82 Tm
Vas	24.4 liters
Xmax	6.0 mm
VC Diameter	38 mm
SPL	87.1 dB @ 2.83V/1m
RMS Power Handling	60 watts
Usable Frequency Range (Hz)	39 - 3,600 Hz

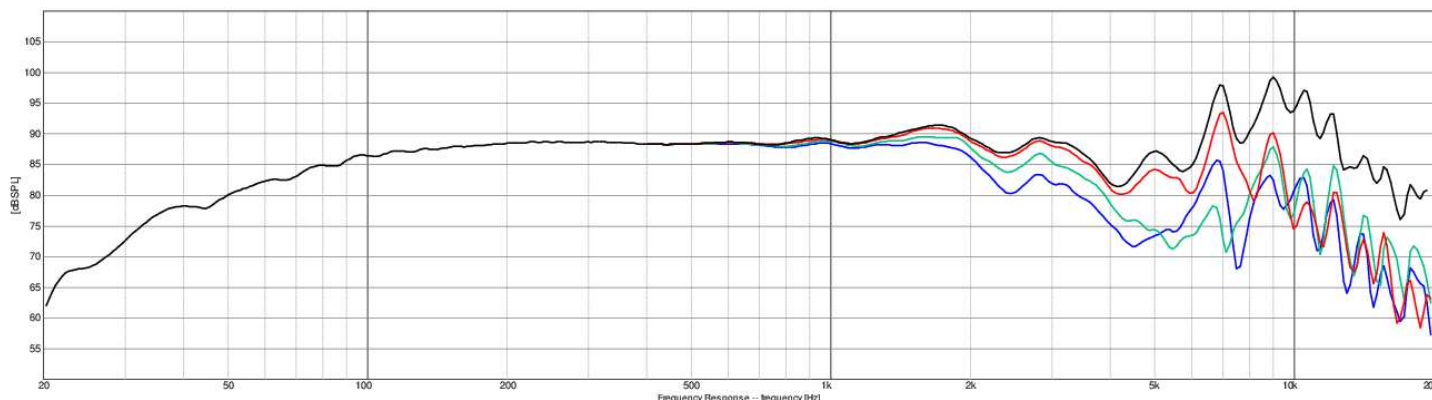
FEATURES

- One of the lowest distortion, highest resolution driver series available
- Low-distortion high-excursion motor system with two short-circuit paths
- Compliant suspension and rigid black anodized aluminum cone for strong bass performance
- Heavy-duty 6-hole cast frame, low-loss rubber surround, and solid aluminum phase plug

IMPEDANCE/PHASE



FREQUENCY RESPONSE



Note: 1/24th octave smoothing - nearfield response included in graph below 450 Hz.

Black = 0°
Red = 15°
Green = 30°
Blue = 45°

