

MDT 32S - SOFT DOME TWEETER, CLASSIC RANGE

Acuflex Treated Dome, Vented Motor



Specifications

Overall Dimensions		110mm(4.33")x46mm(1.81")
Nominal Power Handling (DN)	P	200 W
Transient power 10ms		1000 W
Nominal Impedance	Z	8 Ohms
Sensitivity 1W/1M		90 dB
Frequency Response		1600-25000 Hz
Resonant Frequency	FS	650 Hz

Voice coil

Voice Coil Diameter	DIA	28mm (1.125")
Voice Coil Height		2.7mm (0.106")
Voice Coil Former		Aluminum
Voice Coil Wire		Hexatech Aluminum
Number of Layers		2
DC Resistance	RE	5.2 Ohms
Voice Coil Inductance @ 1KHz	LBM	0.09 mH

Magnet System

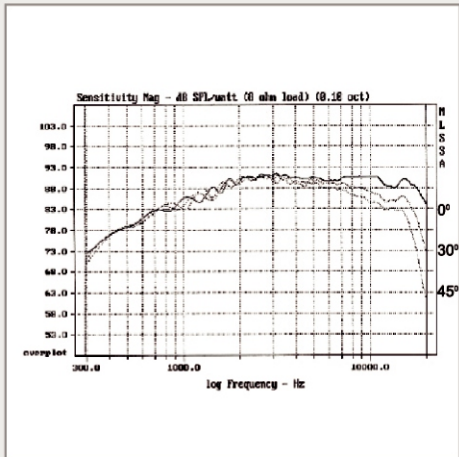
Magnet System Type		Ferrite Vented Pole
HE - Magnetic Gap Height	HE	2.5mm (0.098")
B Flux Density	B	1.5 T
BL Product	BXL	3.5 N.A
Max. Linear Excursion	X	

Operational Parameters

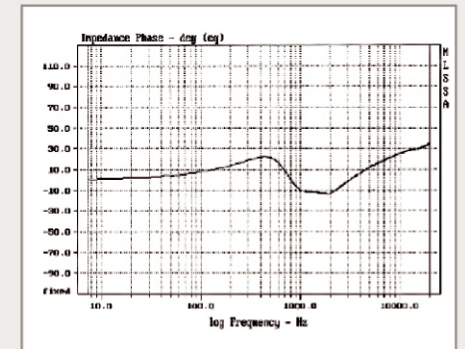
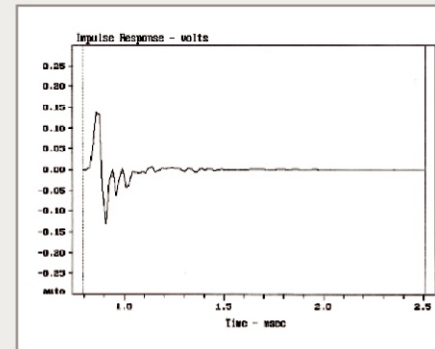
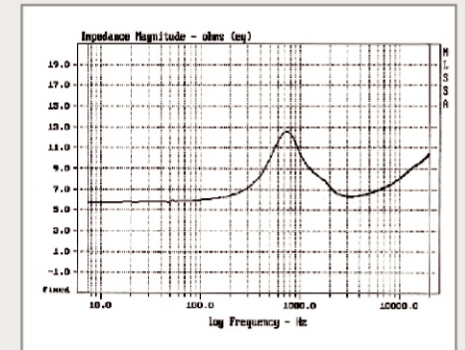
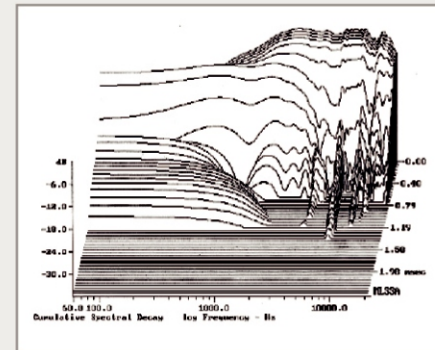
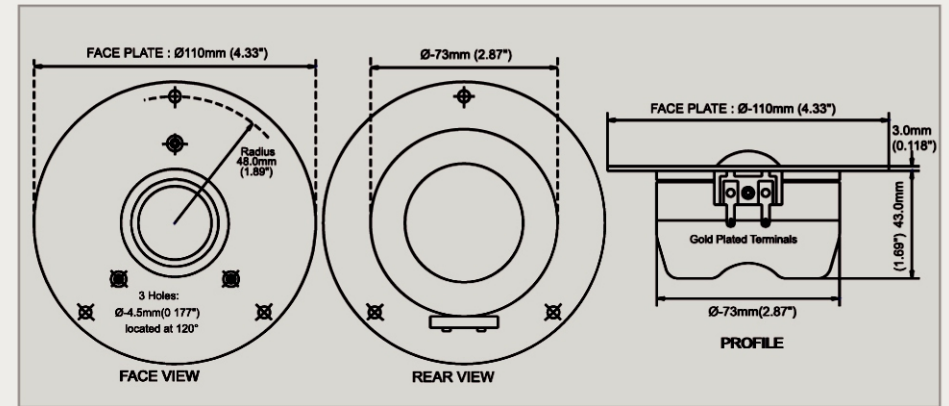
Suspension Compliance	CMS	
Mechanical Q Factor	QMS	
Electrical Q Factor	QES	
Total Q Factor	Q/T	
Mechanical Resistance	RMS	
Moving Mass	MMS	0.44 gm
Eq. Cas Air Load (liters)	VAS	
Dome Material	Acuflex	Hand Treated Fabric
Effective Piston Area	SD	6.0 cm ²
Net Weight	Kg.	0.56 Kg.

FEATURES

- Large diameter voice coil
- Replaceable dome/coil assembly
- Aluminum face-plate
- Ferroflu d cooled
- High power handling
- Sturdy gold-plated nput tags



MDT 32S



morel HIGH FIDELITY



www.morelhifi.com