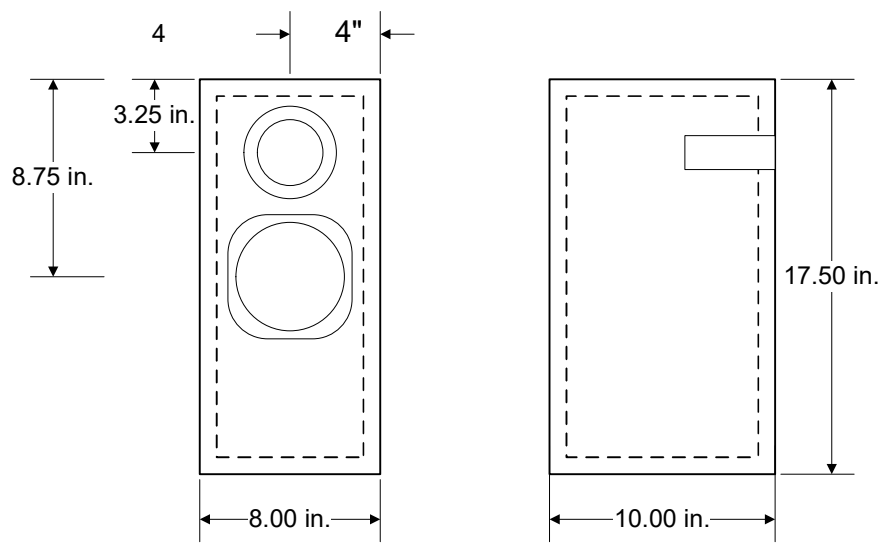


8 7 6 5 4 3 2 1

H
G
F
E
D
C
B
A

H
G
F
E
D
C
B
A



Tweeter Cut out:
 104 mm outer, 3.4 mm recess
 74 mm inner + "ears" for terminals

Woofer cut out:
 5.5" x 5.5" rounded corners"
 4.8" Cut Out ,6mm Deep recess.

It is strongly recommended that you cut the holes from your measured drivers as frame sizes can vary from production run.

Cabinet fill: Pyramid foam

Tweeter: Morel CAT308
 Woofer: Eclipse, W520R
 Port: 1.5" x 4" Location not Critical.

Cabinet material: 3/4" MDF, Many have use solid hardwood with good results.

Terminal cut out as required



Meniscus Audio Group. Inc.			
REV	Viva Voce by Jeff Bagby	1/1/2018	APPROVED

8 7 6 5 4 3 2 1