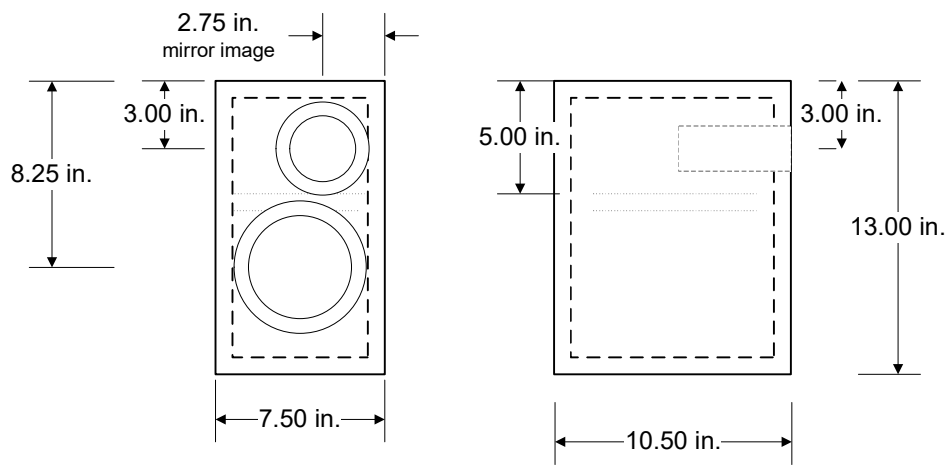


8 7 6 5 4 3 2 1

H
G
F
E
D
C
B
A

H
G
F
E
D
C
B
A



Tweeter Cut out:
 104.5 mm outer, 3.4 mm recess
 74 mm inner + "ears" for terminals

Woofer cut out:
 150 mm , Outer, 5 mm recess
 116 mm, inner

It is strongly recommended that you cut the holes from your measured drivers as frame sizes can vary from production run.

Cabinet fill: Layered Dacron

Port Option:
 2" dia x 5"L

Tweeter: CAT328-104
 Woofer: NE149-8

Cabinet material:
 Baffle is 1" MDF, the rest is
 3/4" MDF

Terminal cut out as required



Meniscus Audio Group. Inc.			
REV	"Finalist Monitor" by Curt Campbell	12/12/2015	APPROVED

8 7 6 5 4 3 2 1