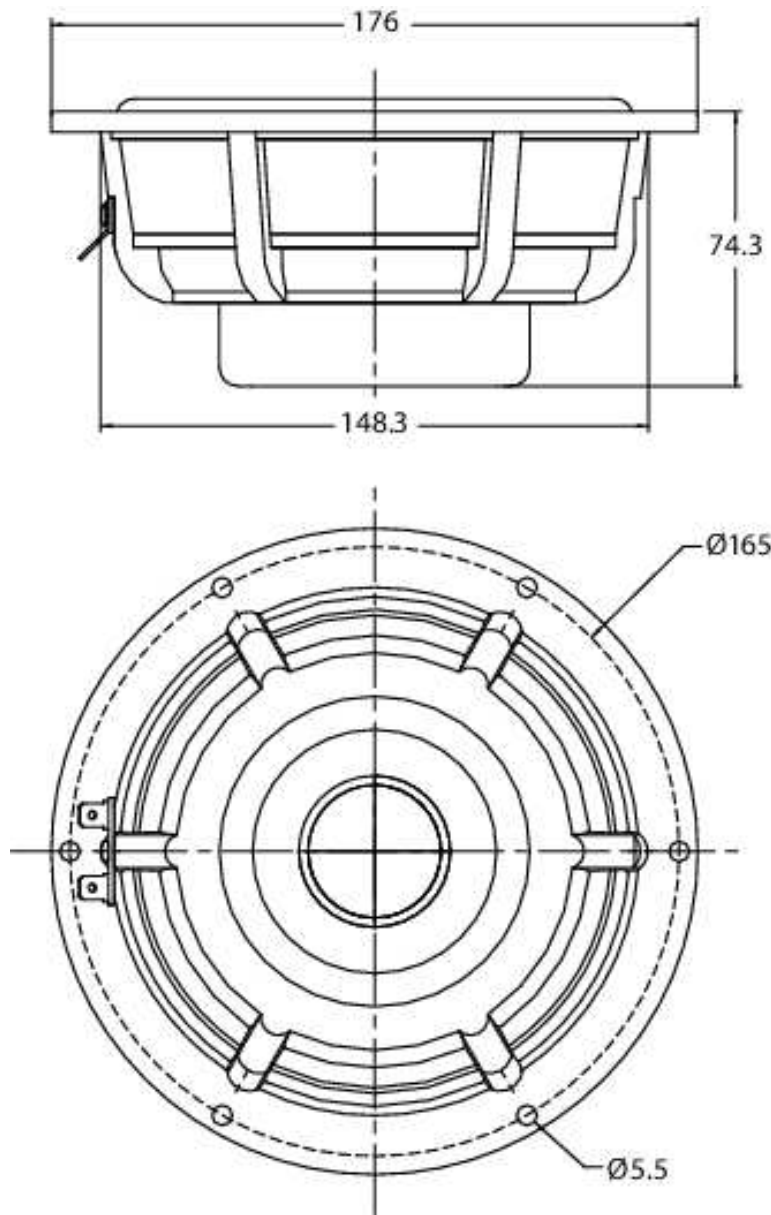




ES180TiA-8 7" Esoteric Series Woofer 8 Ohm

ES180TiA-8



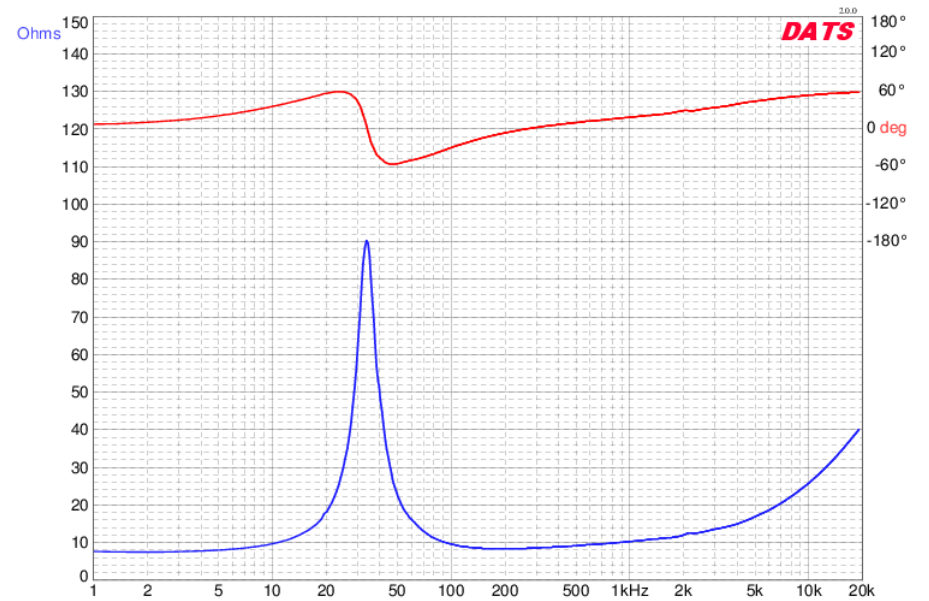
PARAMETERS

Impedance	8 ohms
Re	7.4 ohms
Le	1.13 mH @ 1 kHz
Fs	33.7 Hz
Qms	4.90
Qes	0.44
Qts	0.40
Mms	26.8g
Cms	0.84 mm/N
Sd	132.7 cm ²
Vd	70.3 cm ³
BL	9.8 Tm
Vas	20.7 liters
Xmax	5.3 mm
VC Diameter	75 mm
SPL	84.8 dB @ 2.83V/1m
RMS Power Handling	100 watts
Usable Frequency Range (Hz)	35 - 5,500 Hz

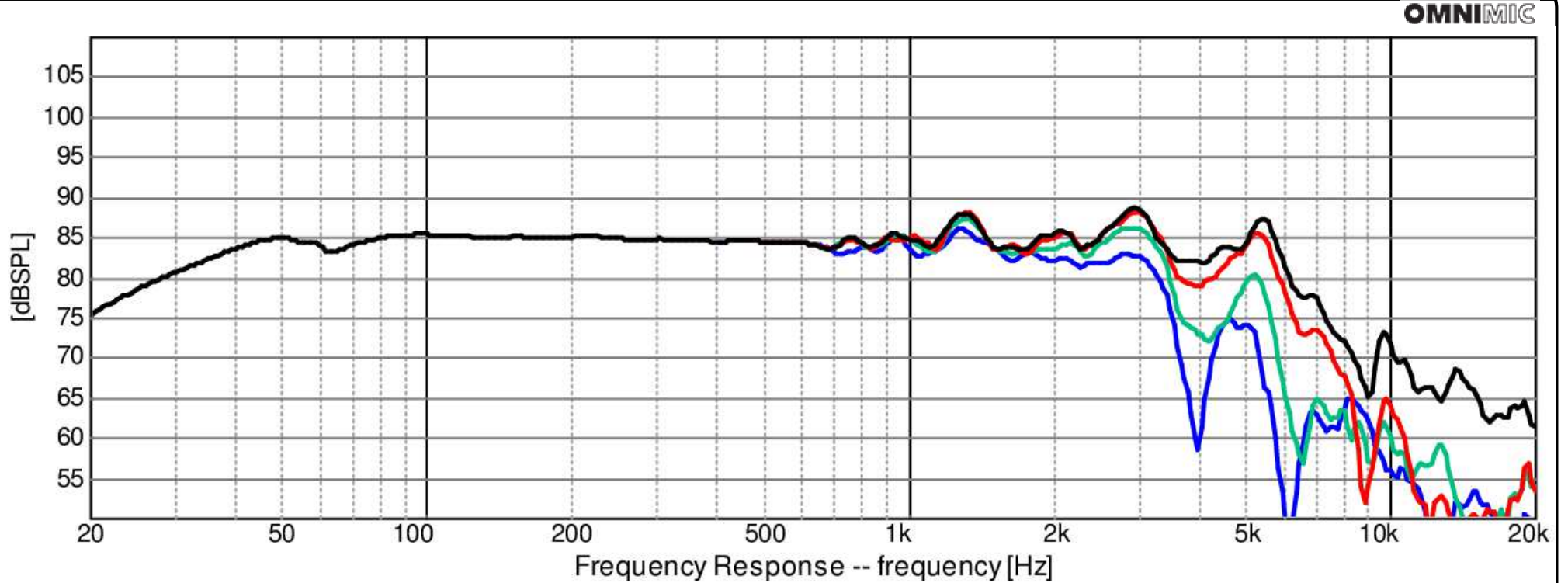
FEATURES

- Improved frequency response for easier crossover integration
- Dual copper shorting rings in the motor for reduced energy storage
- 3" edgewound voice coil on titanium former provides exceptional transient response
- Woven glass-fiber cone provides excellent stiffness for minimal cone flex
- High excursion suspension design with tethered tinsel leads and fully ventilated frame

IMPEDANCE/PHASE



FREQUENCY RESPONSE



OmniMic

Note: 1/24th octave smoothing - nearfield response included in graph below 450 Hz.

Black = 0°
Red = 15°
Green = 30°
Blue = 45°