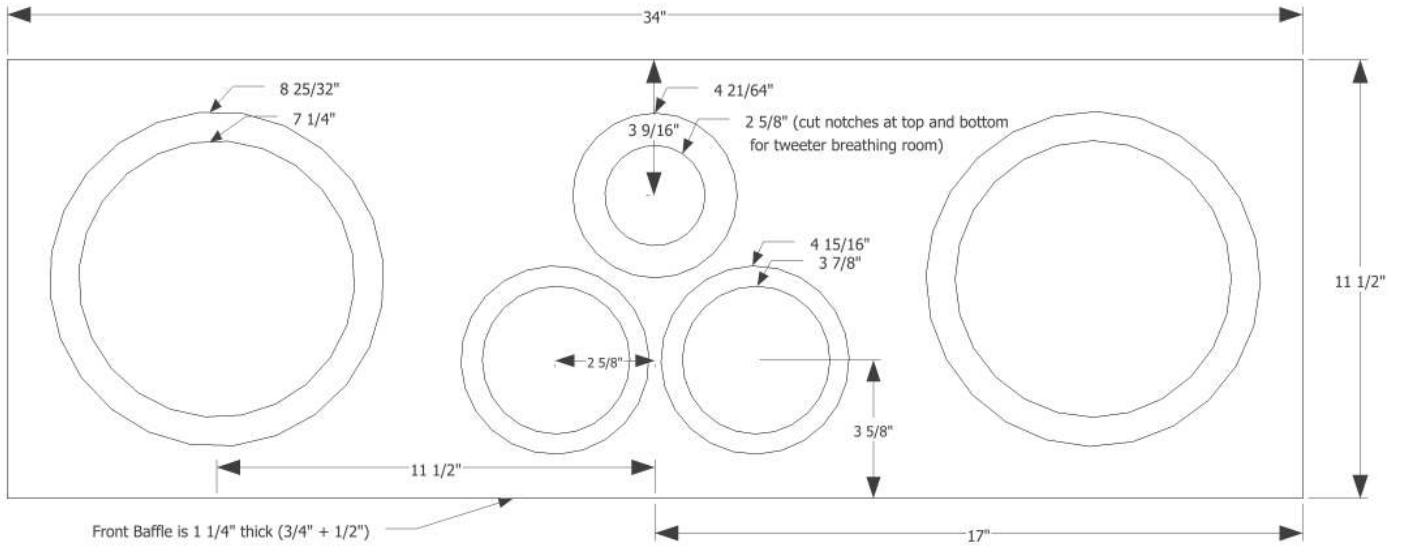
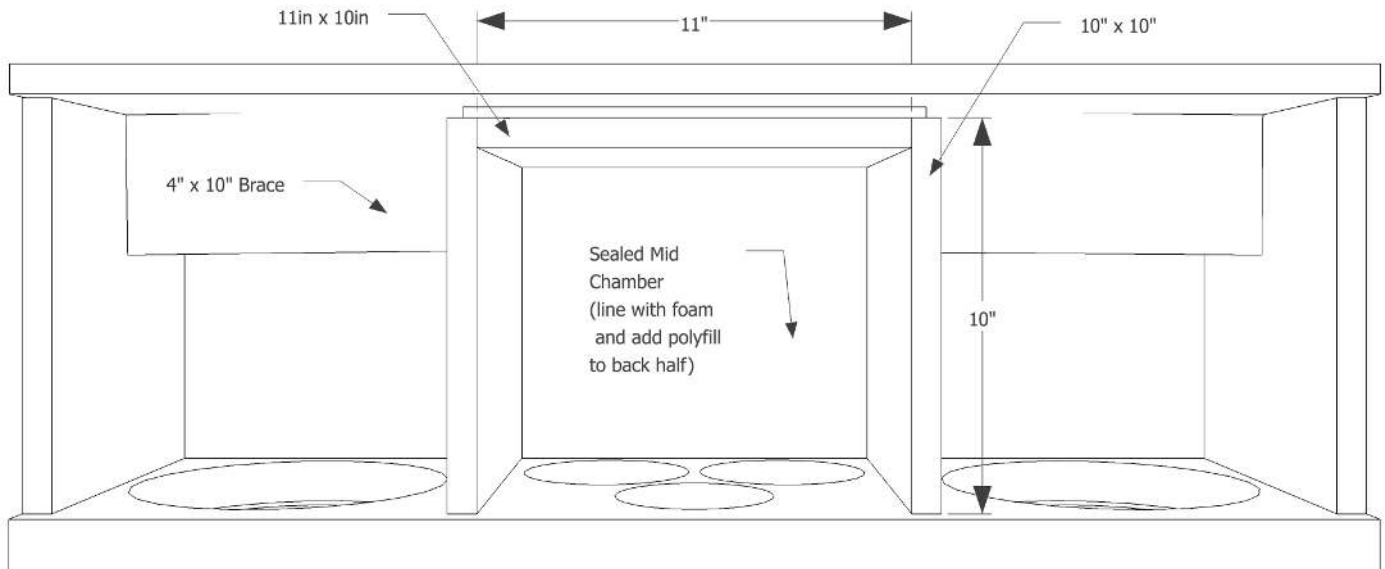


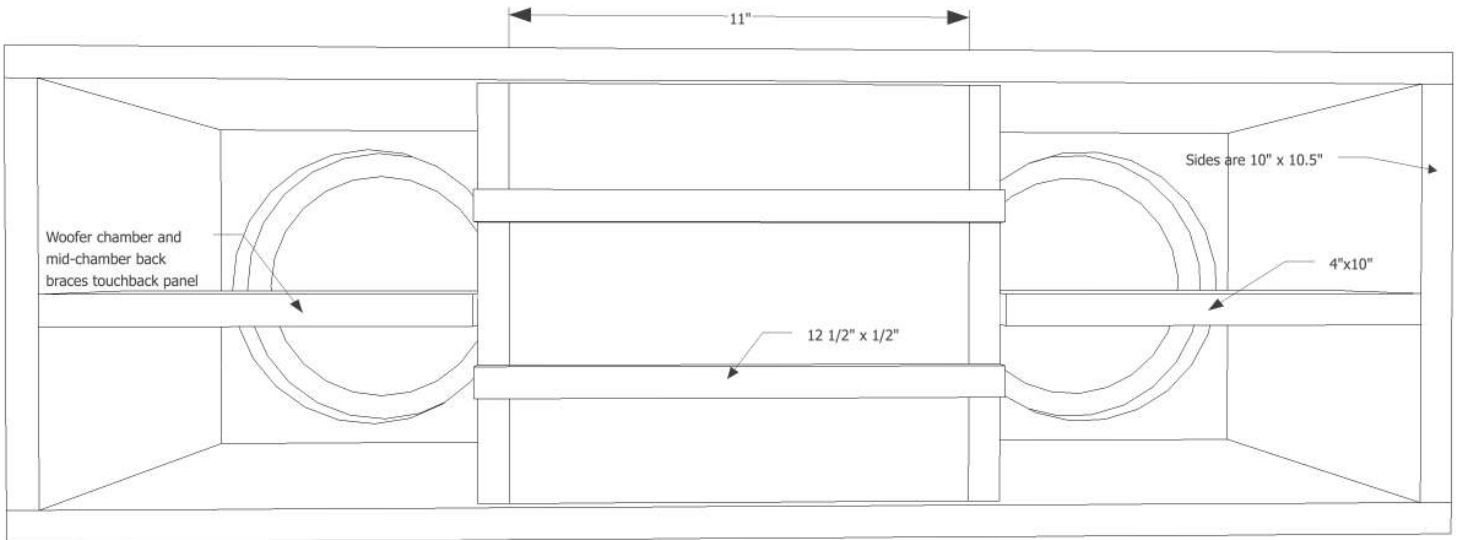
# Front View



# Top View



# Back View



Cutlist		Finished Sizes				
Part	Description	Thickness	Width	Length		Number
A	Front Baffle ( $3/4 + 1/2$ )	1 1/14"	34"	11 1/2"		1
B	Back Panel	3/4"	34"	11 1/2"		1
C	Top/Bottom	3/4"	34"	10 1/2"		2
D	Sides	3/4"	10"	10 1/2"		2
E	Mid-Chamber Sides	3/4"	10"	10"		2
F	Mid-Chamber Back	3/4"	10"	11"		1
G	Woofer Chamber Braces	3/4"	10"	4"		2
H	Mid-Chamber Back Braces	3/4"		12.5 0.5"		2

# Cut Sheet

